

Dux Manifold Automatic Spray Gun

Standard & Recirculating Fluid Supply Models

IMMEDIATE ROI

- > Reduced coating usage
- > Decreased cleanup costs
- > Faster production speed
- > Energy savings

AIR QUALITY COMPLIANCE

- > Reduced booth fog and over-spray
- > Drastic reductions in VOC emissions
- > Reduced HazMat clean-up and disposal
- > AQMD compliant by definition

ADVANCED TECHNOLOGY

- > DUX Advanced Laminar Airflow Technology
- > Low pressure and air volume
- > Exceptional atomization
- > Outstanding utility across coatings and applications

AVAILABLE OPTIONS

- > Manual Fan Control Body
- > Auto Fan Control Body
- > Single Inlet Body
- > Dual Inlet Body
- > ABB/Fanuc Block
- > If any of the above options do not provide what you are looking for; we can custom design to your specific needs

PUT YOUR FINISHING LINE INTO HIGH GEAR.

On today's high-speed finishing lines, time is money. That's why you can't afford to waste time reinstalling or readjusting your automated spray guns. With the DUX Manifold Automatic spray gun, you won't have to!

The DUX Manifold Automatic is designed for rapid removal and replacement of the spray head, without the time-consuming chore of repositioning and recalibration. Plus, you still benefit from our patented Advanced Laminar Airflow Technology, resulting in the incredible efficiency you've come to expect from all DUX products.

THE TECHNOLOGY THAT PAYS FOR ITSELF.

With the DUX Manifold Automatic spray gun, you'll experience material savings of 15-40% or more compared to older spray technologies such as HVLP and Air-Assisted Airless. In fact, the coatings savings are so significant your DUX spray gun often pays for itself in the first month of use.

The DUX Manifold Automatic spray gun uses DUX's patented Advanced Laminar Airflow technology to reduce booth fog and blowback from the target—the two leading causes of coating waste. When more material reaches the target, less is released into the air. Besides the obvious coating cost savings, you'll benefit from less frequent air filter changes and a cleaner overall spray booth environment. In addition, the DUX gun's precision application capabilities reduce the need for masking materials, substantially decreasing preparation labor and disposal costs.

THE BEST ATOMIZATION FOR TODAY'S DIFFICULT COATINGS.

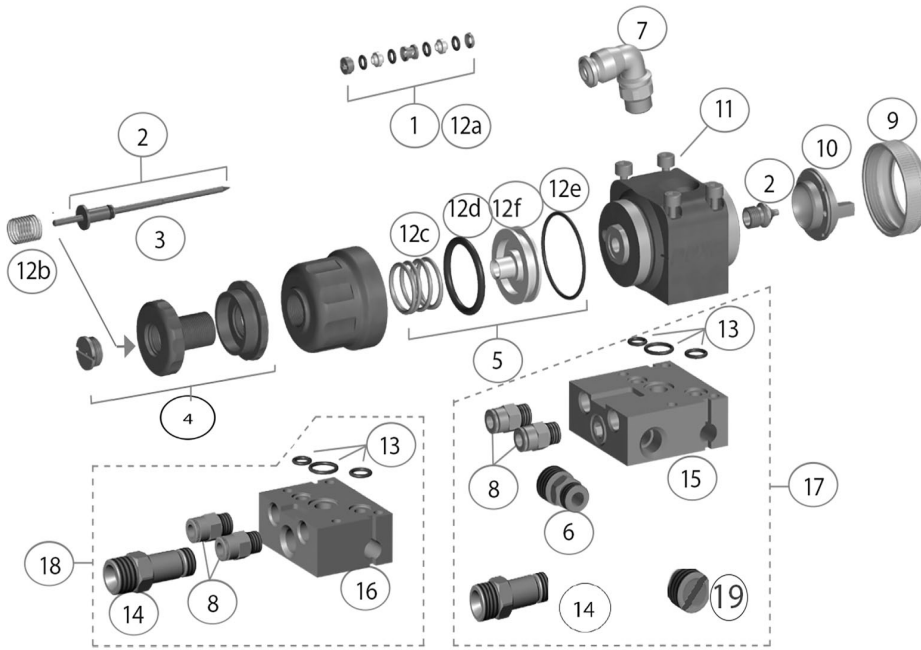
DUX's superior atomization technology also enhances finish quality, delivering a better product for your customers and increasing your competitive advantage. The newest low-VOC, high-solids coatings can be very difficult to atomize—leading most users to increase operating air pressure on their spray guns. This not only decreases efficiency, but it can also trap air deep inside the coating. As that air escapes, pinholes and orange peel can occur. Not with the DUX gun! Very low operating air pressure and air volume help eliminate the source of this problem.

FLEXIBLE CONFIGURATIONS FOR ANY APPLICATION.

We know one gun model won't work for every application. For that reason, we're offering three separate manifold options—one for a "dead head" style application with a single fluid port, and a second with two ports to provide fluid recirculation capabilities or easy solvent purging during cleaning cycles. The third option is for ABB/Fanuc applications.

STANDARD ACCESSORIES YOU WON'T FIND ELSEWHERE.

Finally, the DUX Manifold Automatic ships with a host of standard accessories to make gun mounting, maintenance and cleaning as quick and easy as possible. PTFE based gun lubricant, cleaning brushes, a 10mm nut driver, and a straightforward operating manual all help to round out the complete package. See below for a complete list of additional replacement parts and accessories.



No.	Part	Description	No.	Part	Description
1.	310129	Fluid Needle Packing Kit (Auto)	12.	310172	Wearable Parts Replacement Kit
2.	310325	SC Tip/Needle Set (0.6mm)			Includes:
	310326	SC Tip/Needle Set (0.8mm)	12a	(1) fluid needle packing kit	
	310327	SC Tip/Needle Set (1.0mm)	12b	(1) needle spring	
	310328	SC Tip/Needle Set (1.2mm)	12c	(1) trigger spring	
	310329	SC Tip/Needle Set (1.4mm)	12d	(1) trigger piston o-ring	
	310330	SC Tip/Needle Set (1.6mm)	12e	(1) trigger housing o-ring	
	310331	SC Tip/Needle Set (1.8mm)	12f	(1) trigger piston	
	310332	SC Tip/Needle Set (2.0mm)	13.	410611	Manifold O'Ring Kit
	310333	SC Tip/Needle Set (2.2mm)	14.	410608	Manifold Fluid Fitting
3.	410459	Universal Needle (Optional)	15.	410480	Dual Inlet Manifold Block
4.	310115	Fluid Control Assembly	16.	410604	Single Inlet Manifold Block
5.	310134	Trigger Kit	17.	410612	Dual Inlet Manifold Kit
6.	410461	3/8" NPSM Fluid Fitting	18.	410613	Single Inlet Manifold Kit
7.	410326	3/8" Swivel Fitting (Push Lock)		410616	ABB/Fanuc Manifold Block (Not Pictured)
8.	410486	1/4" Fitting (Push Lock)		410340	Fluid Port Plug
9.	310157	Air Cap Ring			
10.	410465	Air Cap, A0 Stainless Steel			
	410466	Air Cap, A1 Stainless Steel			
	410467	Air Cap, A2 Stainless Steel			
11.	410483	Captive Screw			
Tools					
			310174	DUX 10mm Fluid Tip Driver	
			310173	DUX Packing Tool	
			410606	Dux Multi-Tool Wrench	
			410522	Dux Packing Driver	
			310310	Packing Pressure Gauge	
Accessories					
			310201	PTFE MagnaLube (.75 oz.)	
			310472	PTFE MagnaLube 10PK (.75oz)	
			310175	Exterior Cleaning Brush	
			310176	Fluid Tube Cleaning Brush	
			310223	Air Cap Tester, Stainless Steel, A0	
			310233	Air Cap Tester, Stainless Steel, A1	
			310235	Air Cap Tester, Stainless Steel, A2	

MANIFOLD AUTOMATIC CONFIGURATIONS

FLUID SUPPLY	Standard or Circulating
FAN CONTROL	Automatic/Manual

MANIFOLD AUTOMATIC SPECIFICATIONS

BODY MATERIAL	Anodized Aluminum
FLUID PASSAGE MATERIAL	100% Stainless Steel
AVAILABLE AIR CAPS (all stainless steel)	A0 Low Solids A1 General Purpose A2 High Solids
GUN WEIGHT (with Manifold)	Single Inlet Version: 2.05 lbs Dual Inlet Version: 2.3 lbs ABB/Fanuc : 2.25lbs
MAXIMUM ATOMIZING AIR INLET PRESSURE*	A0 Air Cap: 10 psi A1 Air Cap: 10 psi A2 Air Cap: 10.1 psi
MAXIMUM FLUID INLET PRESSURE	75 psi
REQUIRED TRIGGERING AIR PRESSURE	35 psi
FAN CONTROL PRESSURE	2-20 psi
MAXIMUM AVAILABLE FAN PATTERN (at 9" spray distance)	16"
AIR CONSUMPTION	A0 Air Cap: 9.1 scfm A1 Air Cap: 9.6 scfm A2 Air Cap: 11.0 scfm

*When operated to maintain HVLP compliance (10 psi or less at the air cap)

MANIFOLD AUTOMATIC FITTINGS

ATOMIZING AIR INLET	Quick Disconnect/Push Lock Swivel Fitting for 3/8" Diameter Tubing
TRIGGERING AIR INLET	Quick Disconnect/Push Lock Swivel Fitting for 1/4" Diameter Tubing
FLUID INLET/OUTLET	3/8" NPS Male Fitting
FAN CONTROL INLET (Auto Fan model Only)	Quick Disconnect/Push Lock Swivel Fitting for 1/4" Diameter Tubing

