



DUX Platinum Pressure Feed Spray Gun

THE MOST DRAMATICALLY DIFFERENT SPRAY GUN ON THE MARKET.

Always focused on improving the spraying experience, we took what customers loved about our gun, and improved upon it. Still incorporating our patented Advanced Laminar Airflow Technology, the Platinum Pressure Feed improves on our original design and introduces several new features. Based upon feedback from customers across various industries, it became clear what was missing: Operators wanted a gun with self-adjusting packing ; a removable rear for improved cleaning efficiency; and a body that is plated with a new coating that is embedded with EN-PTFE for easier cleaning and longer parts life . With the Platinum Pressure Feed, you can do just that! You can spray nearly any type of fluid, onto nearly any surface with a single gun – while reducing coatings usage and improving finish quality.

PRECISION DRIVEN IMPROVEMENTS

- > Updated Self Adjusting Packing
- > New Sleeve A
- > New Fluid Tube
- > Diamond Electroless Nickel Coated For Easy Clean

IMMEDIATE ROI

- > Reduced coating usage
- > Decreased cleanup costs
- > Faster production times
- > Energy savings

EASY TO USE

- > Ergonomic design
- > Lightweight and balanced
- > Reduced booth fog and overspray

AIR QUALITY COMPLIANCE

- > Drastic reductions in VOC emissions
- > Reduced HazMat clean-up & disposal
- > AQMD compliant by definition

ADVANCED TECHNOLOGY

- > Laminar airflow
- > Low pressure with high velocity
- > Exceptional atomization
- > Outstanding utility across coatings and applications



IT PRACTICALLY PAYS FOR ITSELF AFTER JUST ONE JOB.

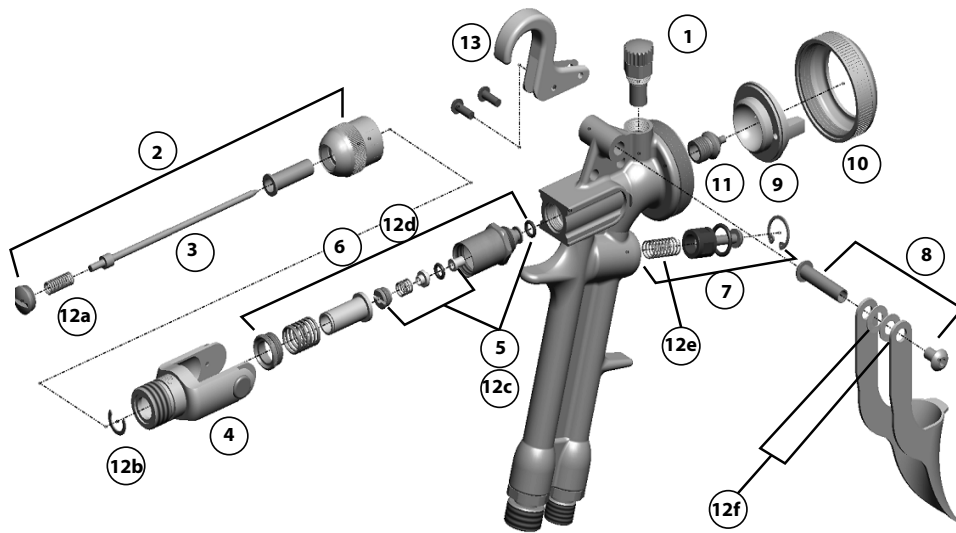
With transfer efficiency improvements of at least 15-40% over HVLP and other leading spray technologies, the DUX Platinum Pressure Feed spray gun simply saves you money. In fact, the coatings savings are so significant the gun often pays for itself in the first month of use. The spray gun uses DUX's patented Advanced Laminar Airflow Technology to reduce booth fog and blow-back from the target – the two leading causes of coating waste. When more material reaches the target, less is released into the air and trapped in booth air filters and on disposable masking materials. In turn, this reduces your consumables costs and hazardous waste disposal fees. In fact, the DUX gun's precision application reduces the need for masking in the first place, substantially decreasing preparation labor costs. What's more, DUX's superior atomization technology enhances finish quality, thereby increasing your competitive advantage – while delivering a better product for your customers.

TECHNOLOGY THAT'S EASY TO USE AND EASY ON US.

Most pressure feed spray guns incorporate a front-heavy body design with fluid hose connections near the tip of the gun. Over the course of a long work day, the extra weight causes arm fatigue and uneven spray patterns that impact finish quality. The DUX gun, however, is designed with much shorter air passages, an upright handle, and fluid and air connections located at the base of the gun. This creates a lighter, more compact and balanced gun that's easier to maneuver in small spaces. As previously mentioned, lower operating pressures result in massive reductions in unhealthy paint booth fog and overspray. This drastically improves the work environment by eliminating paint build up on operators' skin and clothing, and floors are no longer coated with a slippery film of wasted material. The way we see it, clearer air isn't just a regulatory mandate, it's the responsible thing to do.

NEW DESIGN WITH STUNNING NEW FEATURES.

If you have ever sprayed with a DUX Pressure Feed Gun in the past, you will immediately notice a difference when you pick up the Platinum Pressure Feed. This gun is plated with Diamond EN-PTFE, a hardy and lubricious coating that will extend the life of the gun and make cleaning a breeze. We've incorporated our new fan control mechanism to enhance user control over the fan pattern. We've also redesigned the packing assembly around the fluid needle, with our proprietary Dux self-adjusting packing, making packing adjustments a thing of the past. Since the Sleeve A is removable (and fully maintenance-able) and contains the packing, cleaning brushes can now fully traverse the bore of the gun body, preventing paint build up on edges/ledges. To top it all off we've designed an optional grip to enhance the ergonomic feel inherent in all DUX spray guns.



SPECIFICATIONS

BODY MATERIAL	Investment Cast Aluminum
FLUID PASSAGE MATERIAL	Stainless Steel
AIR CAP MATERIAL	EN-PTFE- Aluminum or Stainless Steel
WEIGHT	14.1 oz.
MAXIMUM ATOMIZING AIR INLET PRESSURE*	A0 Air Cap: 8.9 scfm A1 Air Cap: 10.7 scfm A2 Air Cap: 11.0 scfm
MAXIMUM FLUID INLET PRESSURE	75 psig
AIR INLET	1/4" NPS Male
FLUID INLET	3/8" NPS Male
AIR CONSUMPTION	A0 Air Cap 8.9 scfm A1 Air Cap: 10.7 scfm A2 Air Cap: 11.0 scfm
TRIGGER PRESSURE	39.8 oz.

*Maximum inlet pressure to maintain HVLP compliance (10 psi or less at the air cap)

**A1 cap recommended, A0/A2 cap also available

No.	Part	Description	No.	Part	Description
1.	310110	Fan Control Assembly	11.	310237	Fluid Tip 0.4mm
2.	310116	Fluid Control Assembly		310250	Fluid Tip 0.6mm
3.	310117	Fluid Needle		312051	Fluid Tip 0.8mm
4.	310125	Yoke		310252	Fluid Tip 1.0mm
5.	310130	Platinum Fluid Needle Packing Kit		310253	Fluid Tip 1.2mm
6.	310127	Platinum Complete Yoke Spring Cartridge		310254	Fluid Tip 1.4mm
7.	310159	Trigger Air Valve Kit		310255	Fluid Tip 1.6mm
8.	310131	Trigger Kit		310256	Fluid Tip 1.8mm
9.	410507	Air Cap, A0 (PTFE)		310257	Fluid Tip 2.0mm
	410508	Air Cap, A1 (PTFE)		310258	Fluid Tip 2.2mm
	410509	Air Cap, A2 (PTFE)	12.	310170	Platinum Wearable Parts Kit
	410465	Air Cap, A0 (SS)			Including:
	410466	Air Cap, A1 (SS)	a.		(1) Needle Spring
	410467	Air Cap, A2 (SS)	b.		(1) Yoke C-Clip
10.	310157	Air Cap Ring	c.		(1) Platinum Needle Packing Kit
			d.		(1) Platinum Complete Yoke Spring Cartridge
			e.		(1) Trigger Spring
			f.		(2) Washers
			g.		(1) Fluid Control O-Ring (Not Pictured)
				310160	Fluid Control O-Ring 5 PK (Not Pictured)
			13	310239	Hook Kit

Accessories

** Air/Fluid Hoses Sold in Varying Lengths**

310187	2 Qt Pressure Pot
410360	2.5 Gallon Pressure Pot
310240	2.5 Gallon Pressure Pot Liner
310177	5 Gallon Pressure Pot
310180	5 Gallon Pressure Pot Liner 10PK
310201	PTFE MagnaLube (.75oz)
310472	PTFE MagnaLube (10pk)
310175	Exterior Cleaning Brush
310176	Fluid Tube Cleaning Brush
310231	Air Cap Tester, A0
310230	Air Cap Tester, A1
310232	Air Cap Tester, A2
410255	Standard Pressure Pot Regulator
410266	Precision Pressure Pot Regulator
310460	Dux Comfort Handle

Tools

310174	Dux 10mm Fluid Tip Driver
310173	Dux Packing Tool
410606	Dux Multi-Tool Wrench
410522	Packing Driver
310310	Packing Pressure Gauge

