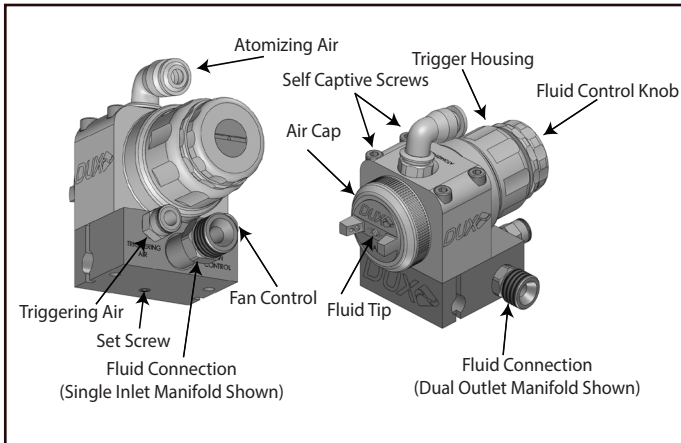




# MANIFOLD AUTOMATIC

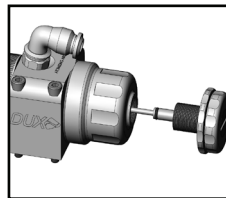
## QUICK REFERENCE & MAINTENANCE GUIDE

The Dux Manifold Automatic Spray Gun is a tool that delivers superior finishing results and cost savings. Optimal performance and results require proper handling and maintenance processes.

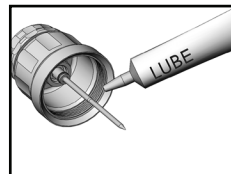


## GUN LUBRICATION

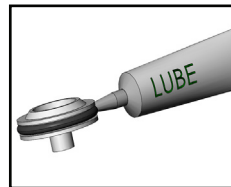
To ensure the longevity of the Dux Spray Gun, lubricate after every cleaning. (Part # 310201)



Unscrew Trigger Housing



Lubricate Thick Part of Needle and O'ring Liberally



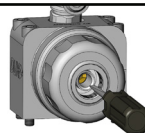
Lubricate Trigger Piston O'Ring Liberally



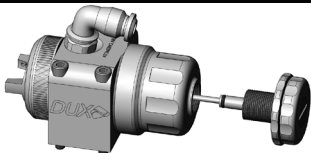
**CAUTION: DE-PRESSURIZE GUN PRIOR TO PERFORMING ANY FLUID PACKING ADJUSTMENTS, MAINTENANCE, OR CLEANING**

### Important:

Some coating leakage out of the fluid tip may indicate an adjustment of the packing is needed. This is not an indication of spray gun failure. This may occur upon setup, after a period of spraying, or when material is changed.



**Step 2:** Insert Dux Packing Tool or a thin, flat-blade screwdriver into the rear of the gun.



**Step 1:** Unscrew the Fluid Control Knob (complete with Locking Ring & Needle) and separate from the gun.



**Step 3:** Turn clock-wise to tighten packing, counter-clock-wise to loosen packing.