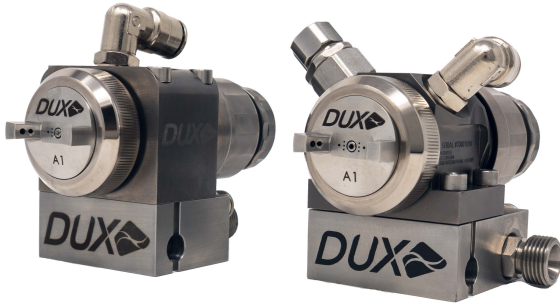




PRODUCT ORDER INFORMATION

DUX MANIFOLD AUTOMATIC



List price: \$1,595.00

Includes:

- (1) Stainless Steel Air Cap
- (1) Fluid Tip
- (1) PTFE Grease Lubricant (.75 oz.)
- (1) 10mm Fluid Tip Driver
- Available In: Manual/Automatic Fan Control with :
 - Single Inlet Block
 - Dual Inlet/Recirculating Block
 - ABB/Fanuc Block

Refer to the following pages for available replacement parts and accessories All Prices Valid January 1, 2021

Air Caps Key: A1–General Purpose Air Cap; A0–Low Solids Air Cap; A2–High Solids Air Cap

DUX Manifold Gun with Single Inlet Block, MKII -Either Automatic or Manual Fan Control

Air Caps	Self-Cleaning Fluid Tip and Needle Size									Price
	0.6mm	0.8mm	1.0mm	1.2mm	1.4mm	1.6mm	1.8mm	2.0mm	2.2mm	
A1	M1101-06	M1101-08	M1101-10	M1101-12	M1101-14	M1101-16	M1101-18	M1101-20	M1101-22	\$1,595
A0	M1001-06	M1001-08	M1001-10	M1001-12	M1001-14	M1001-16	M1001-18	M1001-20	M1001-22	\$1,595
A2	M1201-06	M1201-08	M1201-10	M1201-12	M1201-14	M1201-16	M1201-18	M1201-20	M1201-22	\$1,595

DUX Manifold Gun with Dual Inlet Block, MKII-Either Automatic or Manual Fan Control

Air Caps	Self-Cleaning Fluid Tip and Needle Size									Price
	0.6mm	0.8mm	1.0mm	1.2mm	1.4mm	1.6mm	1.8mm	2.0mm	2.2mm	
A1	M1102-06	M1102-08	M1102-10	M1102-12	M1102-14	M1102-16	M1102-18	M1102-20	M1102-22	\$1,595
A0	M1002-06	M1002-08	M1002-10	M1002-12	M1002-14	M1002-16	M1002-18	M1002-20	M1002-22	\$1,595
A2	M1202-06	M1202-08	M1202-10	M1202-12	M1202-14	M1202-16	M1202-18	M1202-20	M1202-22	\$1,595



DUX Manifold Gun with ABB/FANUC Block-Either Automatic or Manual Fan Control

Air Caps	Self-Cleaning Fluid Tip and Needle Size									
	0.6mm	0.8mm	1.0mm	1.2mm	1.4mm	1.6mm	1.8mm	2.0mm	2.2mm	Price
A1	M1103-06	M1103-08	M1103-10	M1103-12	M1103-14	M1103-16	M1103-18	M1103-20	M1103-22	\$1,595
A0	M1003-06	M1003-08	M1003-10	M1003-12	M1003-14	M1003-16	M1003-18	M1003-20	M1003-22	\$1,595
A2	M1203-06	M1203-08	M1203-10	M1203-12	M1203-14	M1203-16	M1203-18	M1203-20	M1203-22	\$1,595

DUX Manifold Gun, Block Only-Automatic Fan Control-

Air Caps	Self-Cleaning Fluid Tip and Needle Size									
	0.6mm	0.8mm	1.0mm	1.2mm	1.4mm	1.6mm	1.8mm	2.0mm	2.2mm	Price
A1	MB1101-06	MB1101-08	MB1101-10	MB1101-12	MB1101-14	MB1101-16	MB1101-18	MB1101-20	MB1101-22	\$1,295
A0	MB1001-06	MB1001-08	MB1001-10	MB1001-12	MB1001-14	MB1001-16	MB1001-18	MB1001-20	MB1001-22	\$1,295
A2	MB1202-06	MB1202-08	MB1202-10	MB1202-12	MB1202-14	MB1202-16	MB1202-18	MB1202-20	MB1202-22	\$1,295

DUX Manifold Gun, Block Only-Manual Fan Control

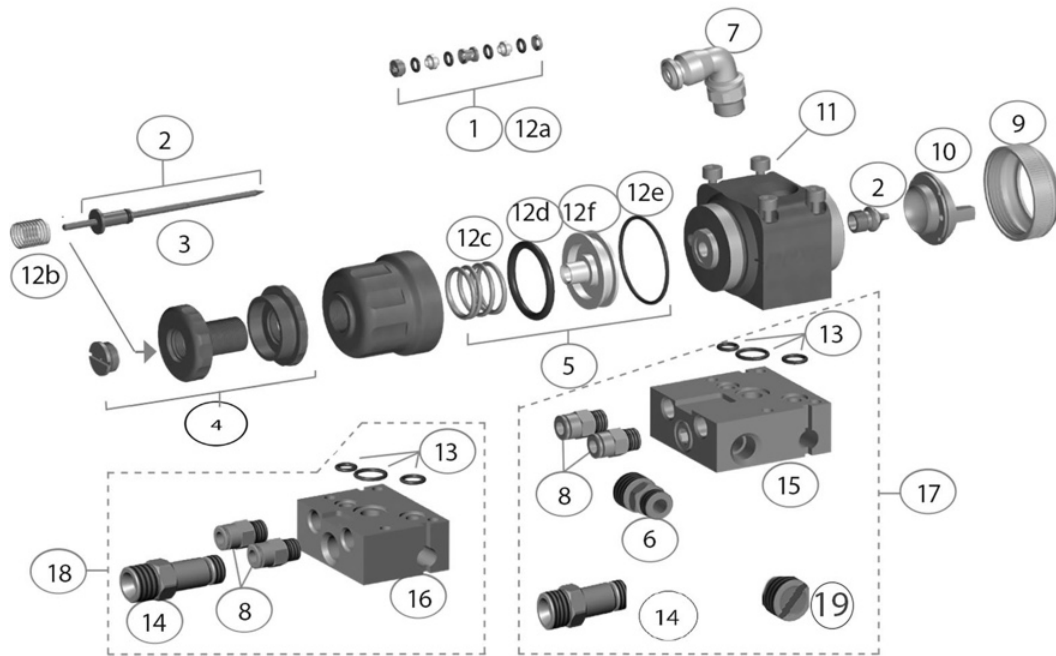
Air Caps	Self-Cleaning Fluid Tip and Needle Size									
	0.6mm	0.8mm	1.0mm	1.2mm	1.4mm	1.6mm	1.8mm	2.0mm	2.2mm	Price
A1	MB1100-06	MB1100-08	MB1100-10	MB1100-12	MB1100-14	MB1100-16	MB1100-18	MB1100-20	MB1100-22	\$1,295
A0	MB1000-06	MB1000-08	MB1000-10	MB1000-12	MB1000-14	MB1000-16	MB1000-18	MB1000-20	MB1000-22	\$1,295
A2	MB1200-06	MB1200-08	MB1200-10	MB1200-12	MB1200-14	MB1200-16	MB1200-18	MB1200-20	MB1200-22	\$1,295

TOOLS

Part #	Description	Price
310173	Dux Packing Tool	\$12.00
310174	Dux 10mm Fluid Tip Driver	\$15.00
310310	Packing Pressure Gauge	\$40.00
410522	Dux Packing Driver	\$20.00
410606	Dux Multi-Tool Wrench	\$20.00

ACCESSORIES

Part #	Description	Price
310175	Exterior Cleaning Brush	\$5.00
310176	Fluid Tube Cleaning Brush	\$5.00
310201	PTFE Grease Lubricant (.75oz)	\$12.00
310472	PTFE Grease Lubricant 10PK (.75oz)	\$100.00
310223	Air Cap Tester, Stainless Steel, A0	\$200.00
310233	Air Cap Tester, Stainless Steel, A1	\$200.00
310235	Air Cap Tester, Stainless Steel, A2	\$200.00



Ref. #	Part #	Description	Price
1	310129	Fluid Packing Kit (Includes DUX packing tool)	\$95.00
2	310325	Self-Cleaning Fluid Tip/Needle Set (0.6mm)	\$153.50
	310326	Self-Cleaning Fluid Tip/Needle Set (0.8mm)	\$153.50
	310327	Self-Cleaning Fluid Tip/Needle Set (1.0mm)	\$153.50
	310328	Self-Cleaning Fluid Tip/Needle Set (1.2mm)	\$153.50
	310329	Self-Cleaning Fluid Tip/Needle Set (1.4mm)	\$153.50
	310330	Self-Cleaning Fluid Tip/Needle Set (1.6mm)	\$153.50
	310331	Self-Cleaning Fluid Tip/Needle Set (1.8mm)	\$153.50
	310332	Self-Cleaning Fluid Tip/Needle Set (2.0mm)	\$153.50
	310333	Self-Cleaning Fluid Tip/Needle Set (2.2mm)	\$153.50
3	410459	Universal Needle (Needle Only, Optional)	\$76.75
4	310115	Fluid Control Assembly	\$118.60
5	310134	Trigger Kit	\$58.60
6	410461	3/8' NPSM Fluid Fitting	\$35.00
7	410326	1/4' NPT x 3/8' Push To Connect Fitting	\$12.00
8	410325	3/8" Push to Connect Swivel Fitting	\$12.00
9	310157	Air Cap Ring	\$26.00
10	410465	Air Cap, A0 Low Solids (Stainless Steel)	\$145.00

Ref. #	Part #	Description	Price
	410466	Air Cap, A1 General Purpose (Stainless Steel)	\$145.00
	410467	Air Cap, A2 High Solids (Stainless Steel)	\$145.00
11	410483	Captive Screw	\$10.00
12	310172	Wearable Parts Replacement Kit Includes:	\$165.00
	a)	Fluid Packing Kit	
	b)	Needle Spring	
	c)	Trigger Spring	
	d)	Trigger Piston O-ring, 30mm	
	e)	Trigger Housing O-ring, 36mm	
	f)	Trigger Piston	
13	410611	Manifold O'ring Kit	\$11.25
14	410608	Manifold Fluid Fitting 3/8"	\$30.00
	410615	Manifold Fluid Fitting, Elongated (Not Pictured)	\$35.00
15	410480	Dual Inlet Manifold Block	\$250.00
16	410607	Single Inlet Manifold Block	\$250.00
17	410612	Dual Inlet Manifold Kit	\$350.00
18	410613	Single Inlet Manifold Kit	\$350.00
	410616	ABB/Fanuc Manifold Block (Not Pictured)	\$650.00
19	410340	Fluid Port Plug	\$15.00